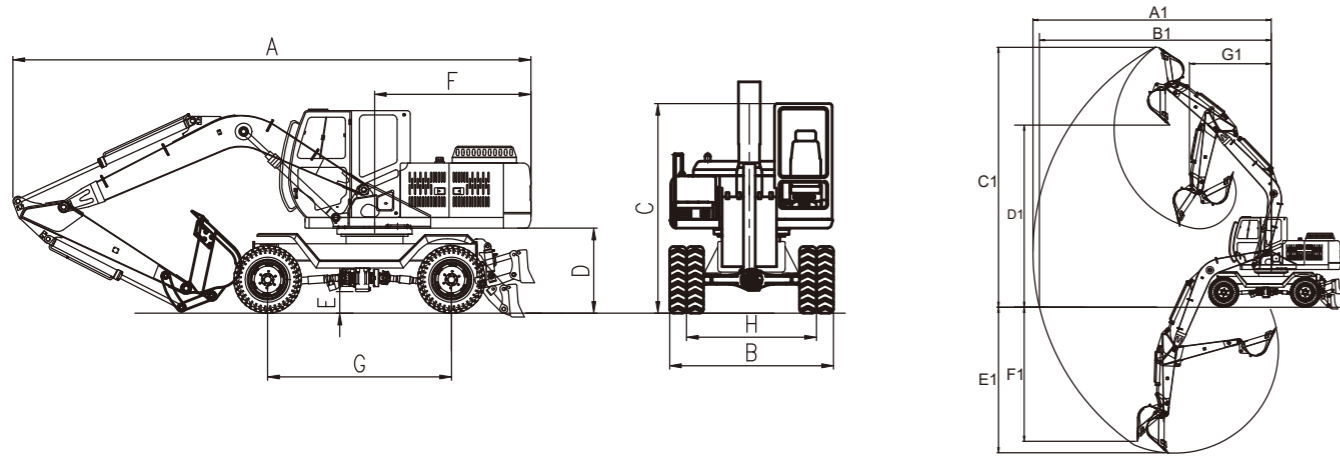


LONKING 龙工



TECHNICAL PARAMETERS

	Name	Data
Basic	Operating weight	13500 kg
	Boom length	4500 mm
	Arm length	2200 mm
	Standard bucket	0.5 m ³
	Max.Travel speed	28 km/h
	Max.Swing speed	11 rpm
	Grade ability	30°(58%)
	Tire type	9.00-20
	Max.Traction force	76.5 kN
Engine	Engine model	QSB3.9
	Rated power	97 kW/2300 rpm
	Displacement	3.9 L
	Fqt fuel quantity	≥6 L/h
	Fuel tank	200 L
Hydraulic	Max.Flow(total)	200 L/min
	Max.Working pressure	32 MPa
	Max.Digging force	90 kN
	Hrdraulic oil tank	200 L
Working Range	A1 Max.Digging reach	8050 mm
	B1 Max.Ground digging reach	7800 mm
	C1 Max.Digging height	8750 mm
	D1 Max.Dumping height	6150 mm
	E1 Max.Digging depth	4900 mm
	F1 Max.Vertical digging depth	4500 mm
	G1 Min. Working radius	2800 mm
	Transport demission (A×B×C)	7500×2500×3000 mm
Overall Dimension	D Counterweight ground clearance	1260 mm
	E Min. Ground clearance	310 mm
	F Tail swing radius	2250 mm
	G Axle base	2750 mm
	H Wheel base	1900 mm

CONFIGURATION

Name	Type
Engine	Cummins Stage 3 emission
Main valve	Multiple unit
Main pump	Piston type
Swing motor	Piston type
Gearbox	Hydraulic
Travel motor	Piston type

OPTIONAL

Custom bucket
Hydraulic hammer
Quick coupler
Hydraulic clamp
Magnetic chuck
Supporting leg

PRODUCT FEATURES

Strong & Powerful Engine. Water Cooled, Four Stroke, HPCR(BOSCH)
High Efficiency Dual Air and Fuel Filters
Parallel Radiator Cooling System
High efficiency and energy saving hydraulic system
LCD Monitor and Advanced Electronic Monitoring System
Safe and Comfortable Cab, Ergonomic Design
Working device adopts low alloy and high strength structural steel.
Standard with rear dozer, rear view camera, air conditioner



CDM6150W WHEEL EXCAVATOR

Efficiency Rules the Future

The following blank can be used for notes or comments.

For more information on Lonking products,
Please contact our local agent:

OPERATING WEIGHT:	13500kg
ENGINE POWER:	97kW
BUCKET CAPACITY:	0.5m ³
TRAVEL SPEED:	28km/h